

Descriptions

- Switching application
- Interface circuit and driver circuit application

PIN Connection

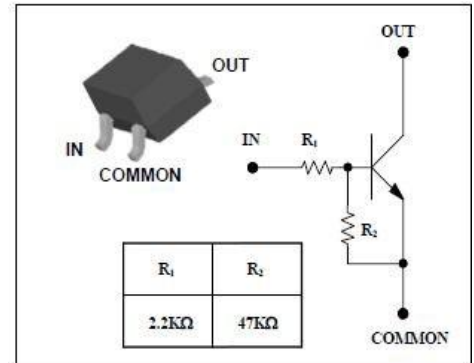
Features

- With built-in bias resistors
- Simplify circuit design
- Reduce a quantity of parts and Manufacturing process
- High packing density

Ordering Information

Type NO.	Marking	Package Code
KRC1205S	RC5 □ ● ① ②	SOT-23

① Device Code ② Year & Week Cod ● Dalian



Absolute Maximum Ratings

(T_a=25°C)

Characteristic	Symbol	Ratings	Unit
Output voltage	V _O	50	V
Input voltage	V _I	15, -5	V
Output current	I _O	100	mA
Power dissipation	P _D	200	mW
Junction temperature	T _J	150	°C
Storage temperature range	T _{stg}	-50~150	°C

Electrical Characteristics

(T_a=25°C)

Characteristic	Symbol	Test Condition	Min.	Typ.	Max.	Unit
Output cut-off current	I _{O(OFF)}	V _O =50V, V _I =0	-	-	500	nA
DC current gain	G _I	V _O =5V, I _O =10mA	80	200	-	-
Output voltage	V _{O(ON)}	I _O =10mA, I _I =0.5mA	-	0.1	0.3	V
Input voltage (ON)	V _{I(ON)}	V _O =0.2V, I _O =5mA	-	-	1.1	V
Input voltage (OFF)	V _{I(OFF)}	V _O =5V, I _O =0.1mA	0.5	-	-	V
Transition frequency	f _T *	V _O =10V, I _O =5mA, f=1MHz	-	200	-	MHz
Input current	I _I	V _I =5V, I _O =0	-	-	3.6	mA
Input resistor (Input to base)	R ₁	-	1.54	2.2	2.86	KΩ
Input resistor (Base to common)	R ₂	-	33	47	61	KΩ

* : Characteristic of transistor only

Electrical Characteristic Curves

Fig. 1 $P_D - T_a$

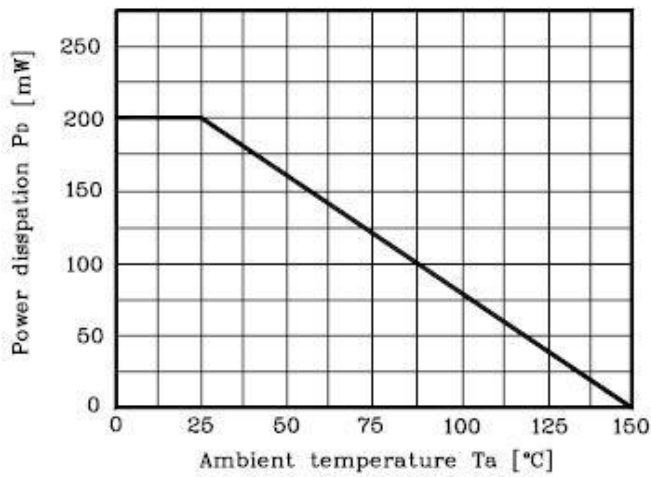


Fig. 2 $I_O - V_{I(ON)}$

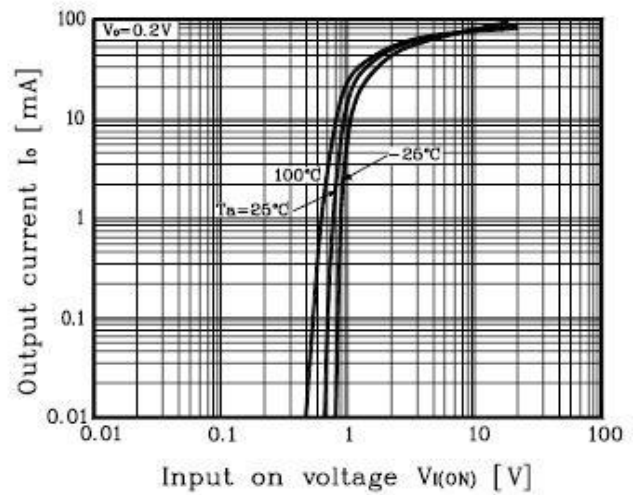


Fig. 3 $I_O - V_{I(OFF)}$

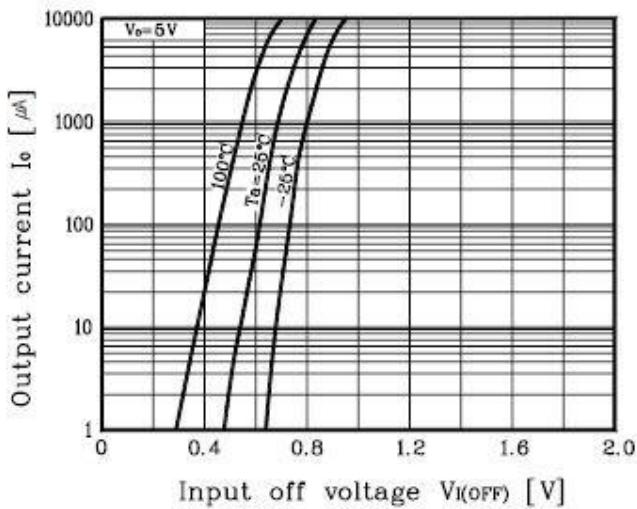
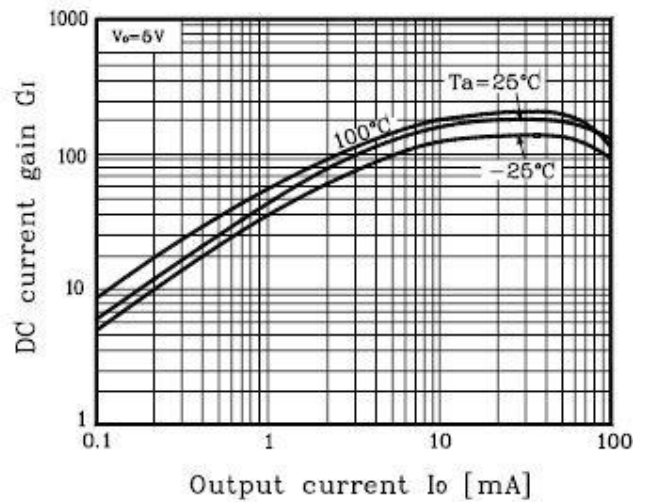
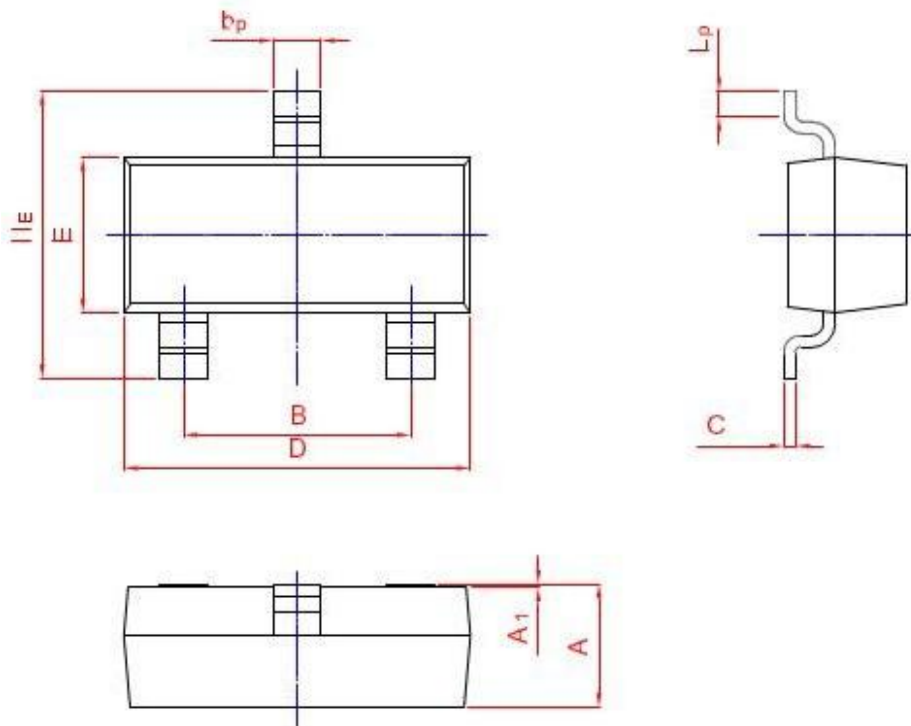


Fig. 4 $G_I - I_O$




Outline Dimension

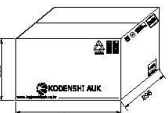
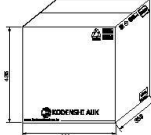


UNIT	A	B	b _p	C	D	E	H _E	A ₁	L _p
mm	1.40	2.04	0.50	0.19	3.10	1.65	3.00	0.100	0.50
	0.95	1.78	0.35	0.08	2.70	1.20	2.20	0.013	0.20

Packing Specification

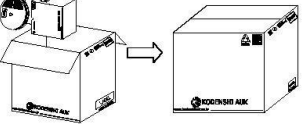
4. Dimensions of Box [Unit : mm]

1) Inner Box (Loaded 10 reels)

 Quantity : 3,000×10reel = 30Kpcs

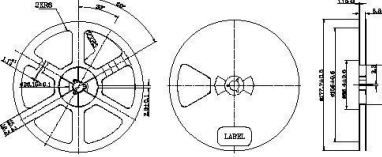
2) Out Box

 # 2-1 (loaded 4 inner boxes)
 Quantity : 30K×4ea=120Kpcs

 # 2-2 (loaded 5 inner boxes)
 Quantity : 30K×5ea=150Kpcs

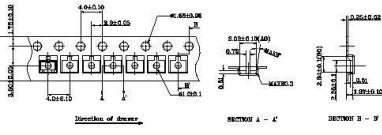
Inner Box LABEL
 DVC : _____
 LOT : _____ QTY : _____ SN : _____
 W/D : _____ MADE IN XXXXXX [RoHS]
 KODENSHI AUK

Out Box LABEL
 DVC : _____
 LOT No : _____ QTY : _____ [RoHS]
 BOX No : _____ KODENSHI AUK

5. Packing flow

 KSA-C5C000-003

KODENSHI AUK SOT-23, SOT-23F Packing Specification

1. Dimensions of reel [Unit : mm]

 Quantity : 3,000pc/reel
 DVC : _____
 LOT : _____ QTY : _____ SN : _____
 W/D : _____ MADE IN XXXXXX [RoHS]
 KODENSHI AUK

2. Dimensions of tape

 DIRECTION OF DIRECTION

3. Taping format

Unloaded Tape	SOT-23, SOT-23F Package	Unloaded tape	Sealing tape (Cover Tape)
(END)			(Start)

 KSA-C5C000-003

The AUK Dalian Corp. products are intended for the use as components in general electronic equipment (Office and communication equipment, measuring equipment, home appliance, etc.).

Please make sure that you consult with us before you use these AUK Dalian Corp. products in equipments which require high quality and / or reliability, and in equipments which could have major impact to the welfare of human life(atomic energy control, airplane, spaceship, transportation, combustion control, all types of safety device, etc.). AUK Dalian Corp. cannot accept liability to any damage which may occur in case these AUK Dalian Corp. products were used in the mentioned equipments without prior consultation with AUK Dalian Corp..

Specifications mentioned in this publication are subject to change without notice.