

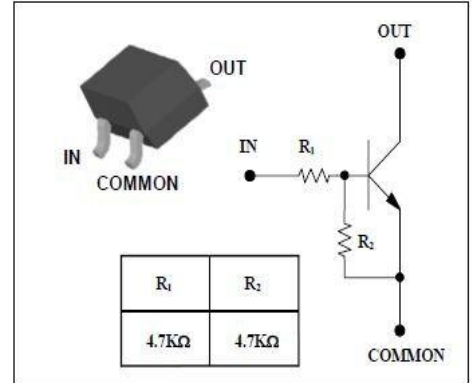
Descriptions 描述

- Switching application 开关应用程序
- Interface circuit and driver circuit application
接口电路和驱动电路的应用

Features 特点

- With built-in bias resistors 内置偏置电阻
- Simplify circuit design 简化电路设计
- Reduce a quantity of parts and Manufacturing process 减少零部件和制造过程的数量
- High packing density 高密度封装

PIN Connection



Ordering Information 订购信息

Type NO.	Marking	Package Code
KRC1201S	RC1 □ ● ① ②	SOT-23

①μ Device Code 型号 ②Year& Week Code 年&周别 • Dalian 大连

Absolute Maximum Ratings 绝对最大额定参数

(Ta=25 C)

Characteristic	Symbol	Ratings	Unit
Output voltage	V _O	50	V
Input voltage	V _I	20,-10	V
Output current	I _O	100	mA
Power dissipation	P _D	200	mW
Junction temperature	T _J	150	°C
Storage temperature range	T _{stg}	-50~150	°C

Electrical Characteristics

(Ta=25 C)

Characteristic	Symbol	Test Condition	Min.	Typ.	Max.	Unit
Output cut-off current 输出限流电流	I _{O(OFF)}	V _O =50V, V _I =0	-	-	500	nA
DC current gain 直流放大系数	G _I	V _O =5V, I _O =10mA	30	55	-	-
Output voltage 输出电压	V _{O(ON)}	I _O =10mA, I _I =0.5mA	-	0.1	0.3	V
Input voltage (ON) 输入电压	V _{I(ON)}	V _O =0.2V, I _O =5mA	-	1.5	2.0	V
Input voltage (OFF) 输入电压	V _{I(OFF)}	V _O =5V, I _O =0.1mA	1.0	1.2	-	V
Transition frequency 转移频率	f _t [*]	V _O =10V, I _O =5mA, f=1MHz	-	200	-	MHz
Input current 输入电流	I _I	V _I =5V, I _O =0	-	-	1.8	mA
Input resistor (Input to base) 输入电阻(输入到基极)	R ₁	-	3.3	4.7	6.1	KΩ
Input resistor (Base to common) 输入电阻(基极到共同端)	R ₂	-	3.3	4.7	6.1	KΩ

* : Characteristic of transistor only

Electrical Characteristic Curves

Fig. 1 $P_D - T_a$

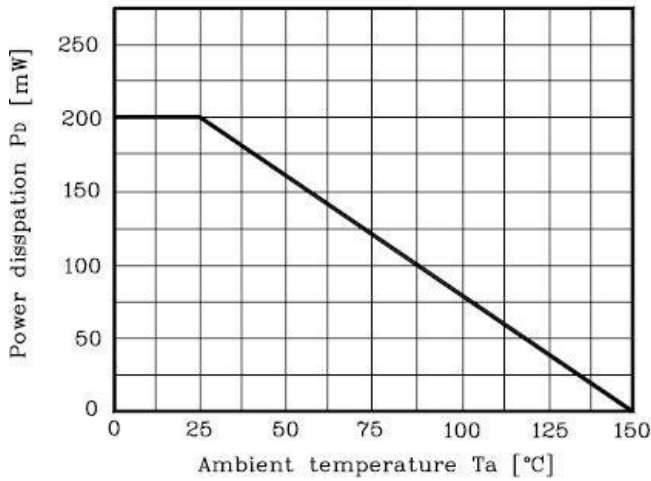


Fig. 2 $I_O - V_{I(ON)}$

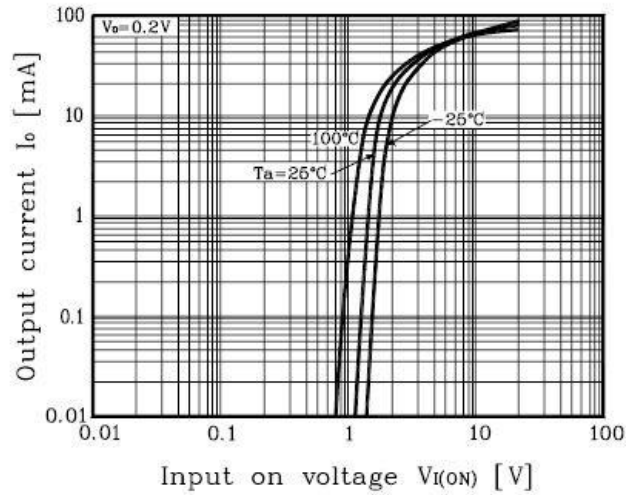


Fig. 3 $I_O - V_{I(OFF)}$

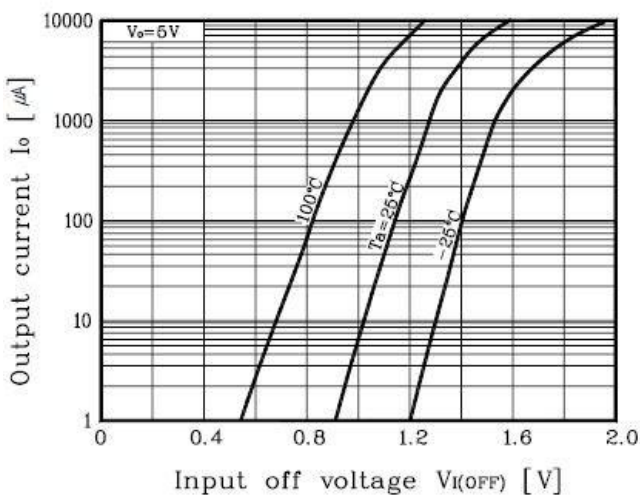
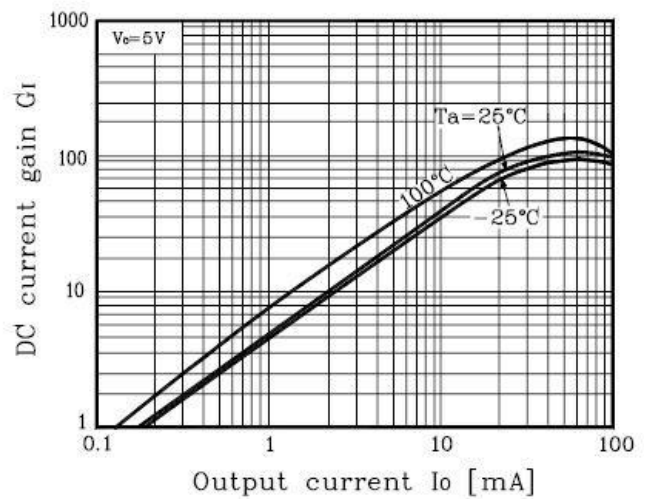
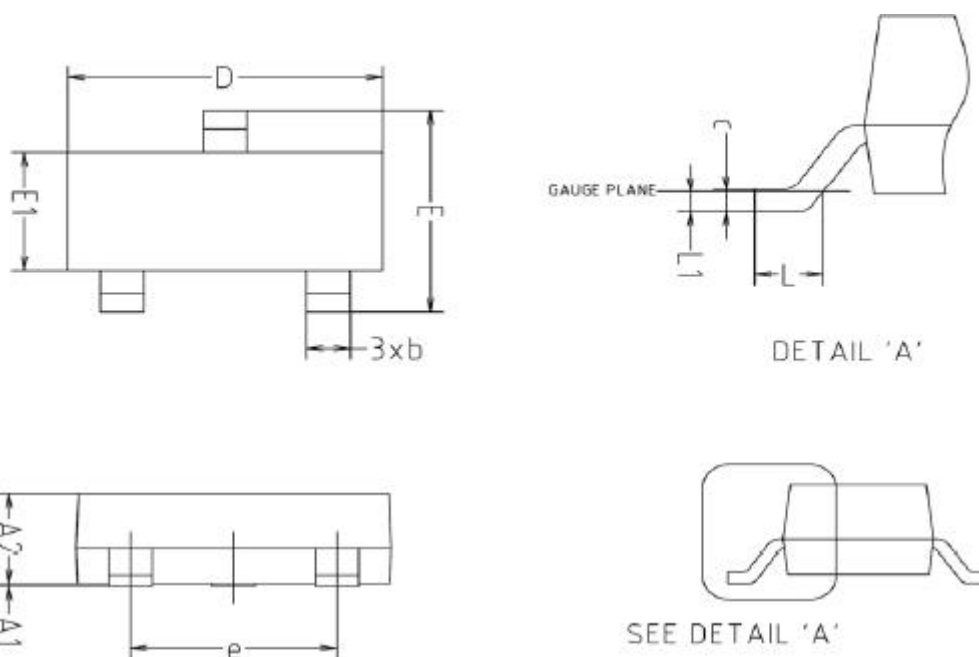


Fig. 4 $G_I - I_O$

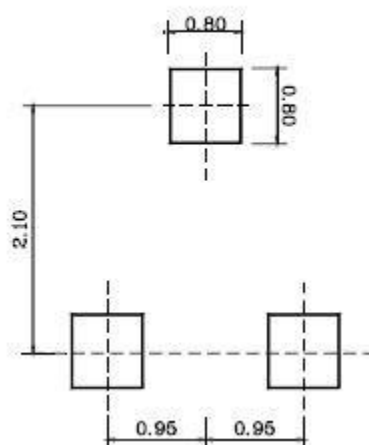


Outline Dimension 外形尺寸



SYMBOL	MILLIMETERS			NOTE
	MINIMUM	NOMINAL	MAXIMUM	
A1	0.00	-	0.10	
A2	0.82	-	1.02	
b	0.39	0.42	0.45	
c	0.09	0.12	0.15	
D	2.80	2.90	3.00	
E	2.20	2.40	2.60	
E1	1.20	1.30	1.40	
e	1.90BSC			
L	0.20	-	-	
L1	0.12BSC			

※Recommend PCB solder land [Unit: mm]



The AUK Dalian Corp. products are intended for the use as components in general electronic equipment (Office and communication equipment, measuring equipment, home appliance, etc.).

Please make sure that you consult with us before you use these AUK Dalian Corp. products in equipments which require high quality and / or reliability, and in equipments which could have major impact to the welfare of human life(atomic energy control, airplane, spaceship, transportation, combustion control, all types of safety device, etc.). AUK Dalian Corp. cannot accept liability to any damage which may occur in case these AUK Dalian Corp. products were used in the mentioned equipments without prior consultation with AUK Dalian Corp..

Specifications mentioned in this publication are subject to change without notice.

AUD 的产品将用于通用电子设备组件的一部分（办公和通信设备、测量设备、家用电器等）。

将 AUD 的产品用于这些需要高质量和/或高信赖性的设备，或用于对人类幸福生活产生重大影响设备之前（原子能控制、飞机、宇宙飞船、交通工具、燃烧控制、各种类型的安全设备等），请确保与我们进行协商。如果在未经 AUD 事先咨询的情况下，将 AUD 生产的产品用于上述设备，则 AUD 对于任何可能造成的损失，不承担任何责任。

本文件中提及的规格如有更改，恕不另行通知